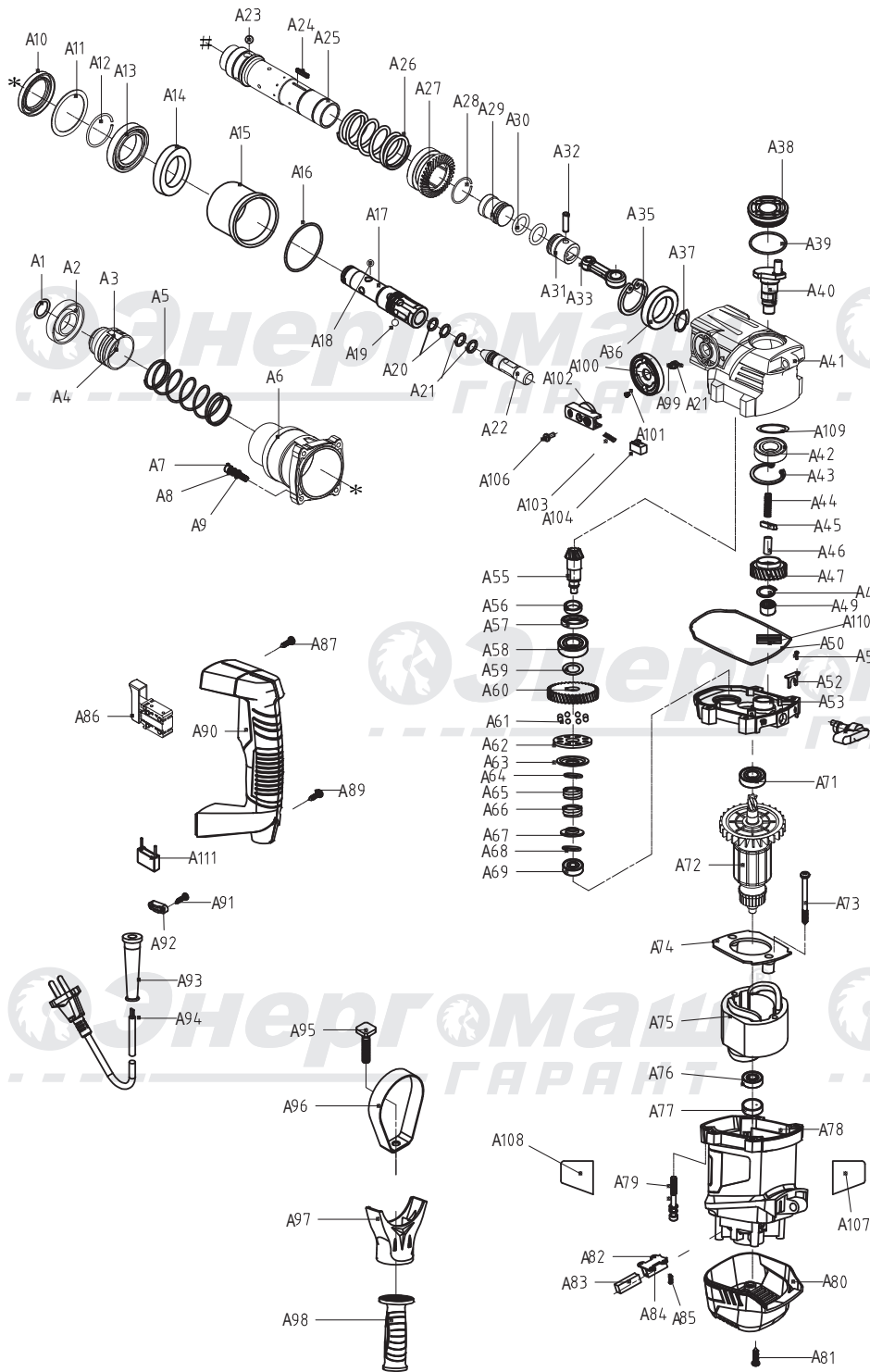


ПР1-1400



NO.	DESCRIPTION	NO.	DESCRIPTION
A1	RETAINING RING 18*2	A55	BEVEL GEAR
A2	FRONT CAP	A56	SWASHER 5
A3	COLLAR ASSEMBLY	A57	EAL RING
A4		A58	BEARING 6002
A5	SPRING	A59	THIN WASHER 20*14*0.5
A6	SPINDLE SLEEVE	A60	GEAR 39
A7	SCREW	A61	STEEL BALL 5
A8	SPRING WASHER Ф5	A62	RELEASING FIXED PALTE
A9	FLAT WASHER Ф5	A63	RELEASING PROTABLE PALTE
A10	SEAL RING 51*35*6	A64	EXTERNAL RETAINNING RING12.5*1
A11	BIG WASHER 45*54.5*1	A65	RELEASING INTERNAL SPRING
A12	RETAINING RING 31.5*2	A66	RELEASING EXTERNAL SPRING
A13	BEARING 61907	A67	SPRING SEAT
A14	RUBBER SLEEVE	A68	SPRING RETAINER RING8.8*1
A15	PLASTIC SLEEVE	A69	BEARING 627
A16	O RING 55*3	A71	BEARING 6001
A17	SPINDLE SLEEVE	A72	ARMATURE
A18	STEEL BALL 7.14	A73	SCREW ST 5*65
A19	STEEL BALL 7.5	A74	BAFFLE
A20	O RING 22*2	A75	STATOR
A21	O RING 11*2	A76	BEARING 608
A22	STRIKER	A77	BEARING SLEEVE
A23	STEEL BALL Ф7.938	A78	MOTOR HOUSING
A24	FLATE KEY3*3*18	A79	SCREW M5X45
A25	CLYINDER	A80	REAR COVER
A26	BIG SPRING 40.5*3.5*76	A81	SREW ST 4*20
A27	CLUTCH GEAR	A82	BRUSH HOLDER
A28	RETAINING RING28*1.8	A83	CARBON BRUSH
A29	HAMMER	A84	BRUSH SPRING
A30	O RING 20X3.1	A85	SREW ST3*14
A31	PISTON	A86	SWITCH
A32	PISTON 6*24.6	A87	SREW ST4*30
A33	JOINT LEVER	A89	SCREW ST4.2X14
A34	N/A	A90	RIGHT HANDLE
A35	RETAINING RING47	A91	SCREW ST4.2X16
A36	OIL BEARING	A92	CABLE PRESSPLATE
A37	WASHER	A93	CABLE SHEATH
A38	OIL SEAL COVER	A94	POWER CORD
A39	O RING 37.5*2	A95	SQUARE BOLT M8X25
A40	ECCENTRIC SHAFT	A96	HOOP BLOCK
A41	GEARCASE	A97	SUPPORTING BRACKET
A42	BEARING 6003	A98	AUXILIARY HANDLE
A43	RETAINING RINGФ35	A99	KNOB
A44	SPRING 5.6*32*1.2	A100	KNOB SEAT
A45	FLATE KEY4.8*4.8*22	A101	SCREW M4X10
A46	CLUTCH PIN	A102	KNOB PIN
A47	GEAR 27	A103	SPRING
A48	RETAINING RING17	A104	RELEASE BUTTON
A49	NEEDLE BEARING HK1208	A106	SCREW M4X15
A50	SEAL RING	A107	LOGO LABLE
A51	SCREW M4*10	A108	NAMEPLATE
A52	MALE TAB	A109	WASHER 29*34*1
A53	DIAPHRAGM	A110	SUPPORTING SLEEVE
A54	KNOB	A111	CAPACITOR